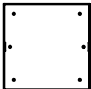
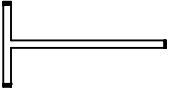


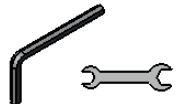
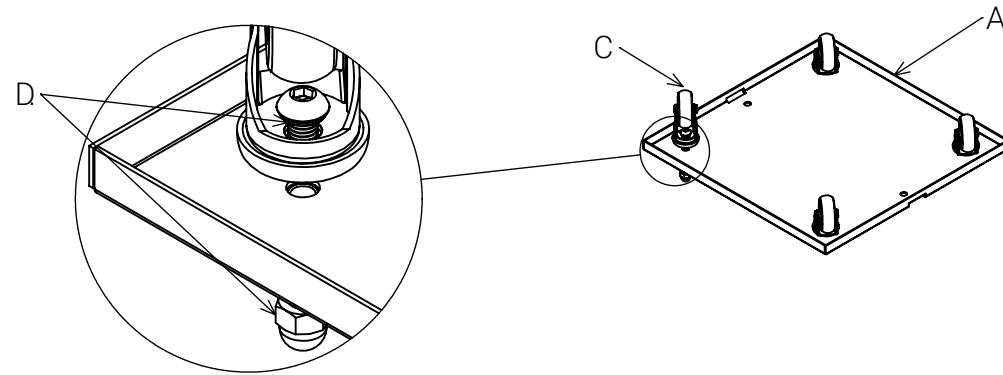


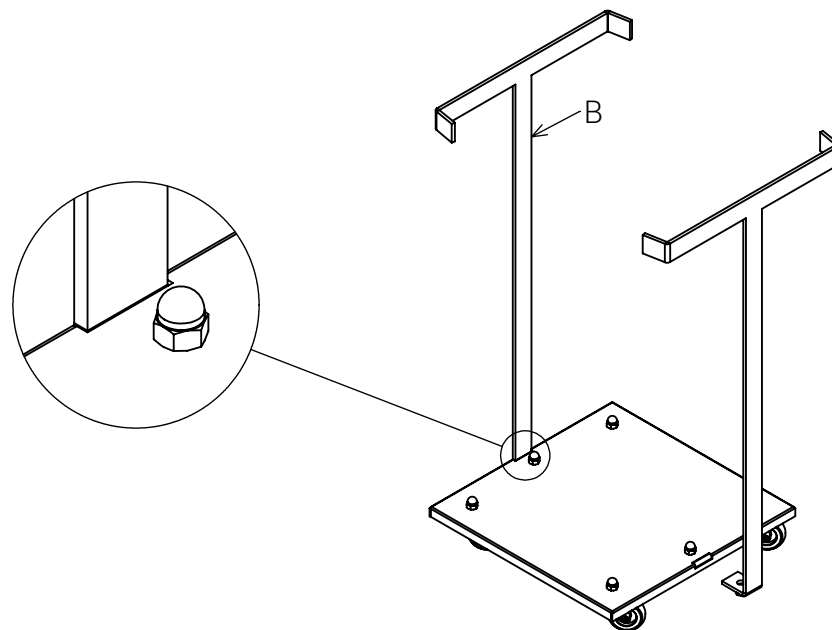
A		Bottom sheet 1pc
B		Leg 2pcs
C		Wheel without break D40mm x4pcs
D		Nut M8, lock washer, bolt M8x15 x 6set
E		Allen key & Spanner 1set

ASSEMBLY INSTRUCTION (SACK TROLLEY)

Step 1: Assemble the wheels.



Step 2: Assemble the legs.



Fi nished.

